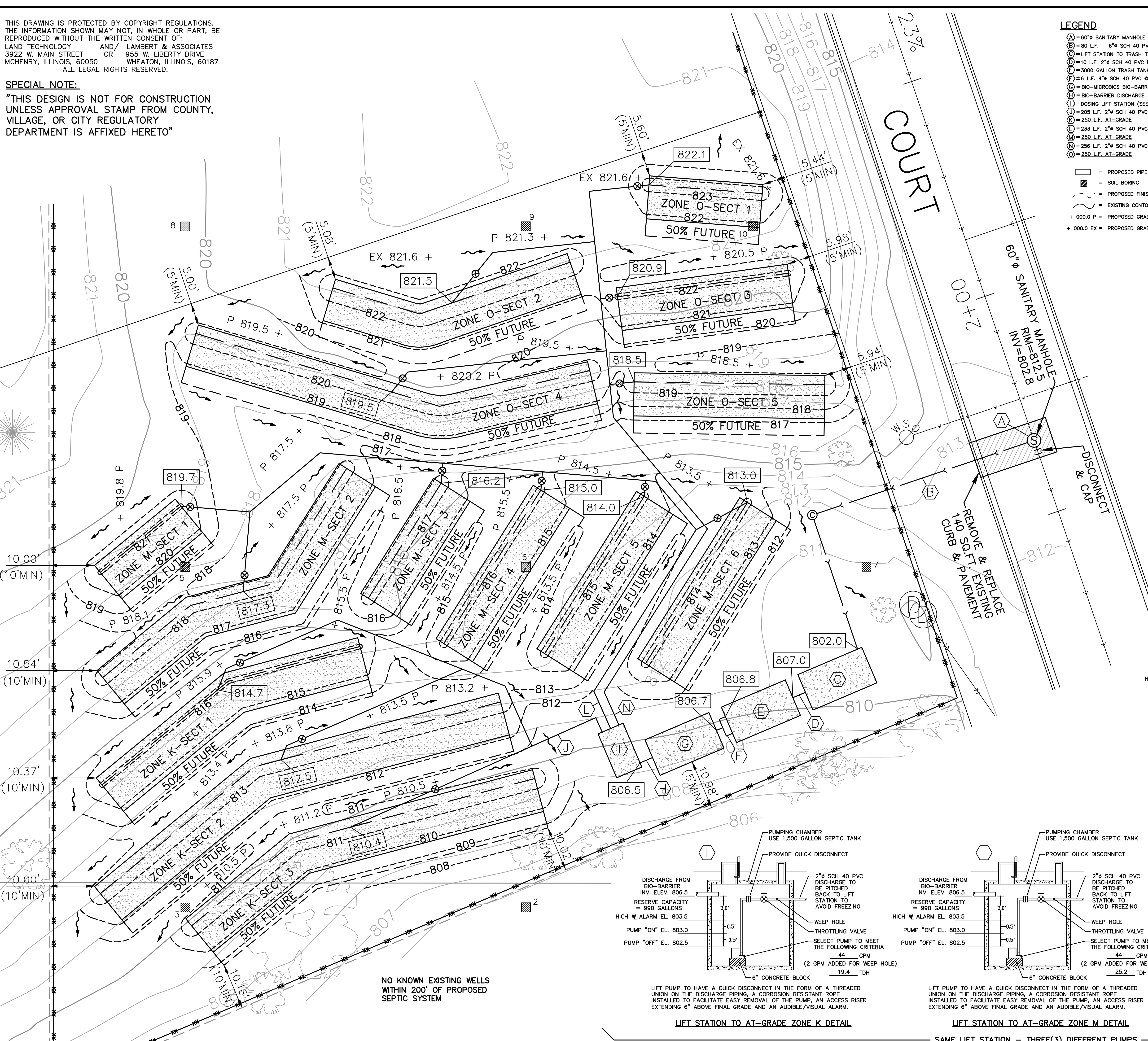


THIS DRAWING IS PROTECTED BY COPYRIGHT REGULATIONS. THE INFORMATION SHOWN MAY NOT, IN WHOLE OR PART, BE REPRODUCED WITHOUT THE WRITTEN CONSENT OF:
 LAND TECHNOLOGY AND/ LAMBERT & ASSOCIATES
 3922 W. MAIN STREET OR 955 W. LIBERTY DRIVE
 MCHENRY, ILLINOIS, 60050 WHEATON, ILLINOIS, 60187
 ALL LEGAL RIGHTS RESERVED.

SPECIAL NOTE:

"THIS DESIGN IS NOT FOR CONSTRUCTION UNLESS APPROVAL STAMP FROM COUNTY, VILLAGE, OR CITY REGULATORY DEPARTMENT IS AFFIXED HERETO"



LEGEND

- ⊕ = 60" SANITARY MANHOLE
- ⊙ = 80 L.F. - 6" SCH 40 PVC @ 1.0% MIN W/CLEANOUT
- ⊙ = LIFT STATION TO TRASH TANK (SEE DETAIL)
- ⊙ = 10 L.F. 2" SCH 40 PVC FORCE MAIN
- ⊙ = 3000 GALLON TRASH TANK W/2) SANITEE 818-B @ OUTLET
- ⊙ = 6 L.F. 4" SCH 40 PVC @ 1% MIN
- ⊙ = BIO-MICROBICS BIO-BARRIER HSMBR 4.5 IN 5,000 GAL TANK
- ⊙ = DOOSING LIFT STATION (SEE DETAIL)
- ⊙ = 205 L.F. 2" SCH 40 PVC FORCE MAIN W/FLOW CONTROL VALVES (X3)
- ⊙ = 250 L.F. AT-GRADE
- ⊙ = 233 L.F. 2" SCH 40 PVC FORCE MAIN W/FLOW CONTROL VALVES (X6)
- ⊙ = 250 L.F. AT-GRADE
- ⊙ = 256 L.F. 2" SCH 40 PVC FORCE MAIN W/FLOW CONTROL VALVES (X5)
- ⊙ = 250 L.F. AT-GRADE

- = PROPOSED PIPE INVERT ELEVATION
- = SOIL BORING
- - - = PROPOSED FINISH CONTOUR
- - - = EXISTING CONTOUR
- + 000.0 P = PROPOSED GRADE
- + 000.0 EX = PROPOSED GRADE

LINE LEGEND

- x — x — = BARBED WIRE FENCE
- o — o — = WOOD FENCE
- o — o — = CHAINLINK FENCE
- — — = BURIED ELECTRIC LINE
- — — = BURIED GAS LINE
- — — = BURIED TELEVISION CABLE
- — — = OVERHEAD WIRES
- — — = WATER MAIN
- — — = SANITARY SEWER
- — — = STORM SEWER
- — — = PROPOSED SANITARY SEWER
- — — = PROPOSED SILT FENCE

SYMBOL LEGEND

| PROP. = PROPOSED IMPROVEMENTS | EX. = EXISTING |
|-------------------------------|----------------------|
| ⊕ SANITARY MANHOLE | ⊕ STORM MANHOLE |
| ⊙ WELL | ⊙ CATCH BASIN |
| ⊙ SANITARY CLEAN-OUT | ⊙ INLET |
| ⊙ FLOW CONTROL VALVE | ⊙ WATER VALVE VAULT |
| | ⊙ WATER VALVE |
| | ⊙ HYDRANT |
| | ⊙ B-BOX |
| | ⊙ SANITARY MANHOLE |
| | ⊙ SANITARY CLEAN-OUT |

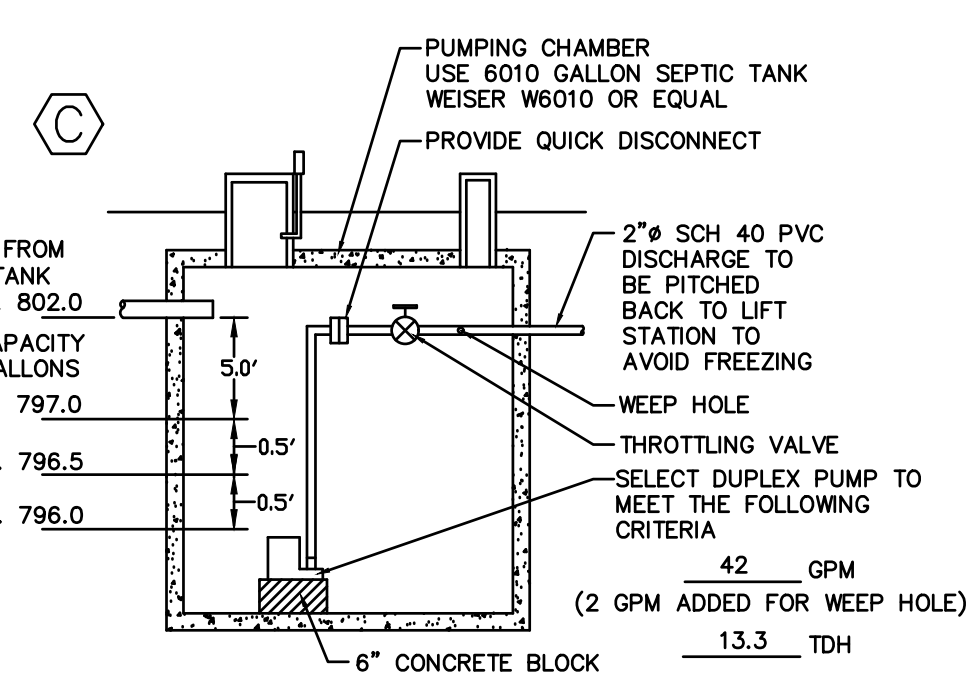
PROPOSED 10 LOT ONSITE WASTE DISPOSAL SYSTEM

4 BEDROOM (2*2) DUPLEX ON EACH LOT
 10 * 450 = 4,500
 SOIL LOADING RATE = 0.40 GAL/SQ.FT.
 SOIL LOADING RATE W/BIO-BARRIER = 0.80 GAL/SQ.FT.
 TYPE C SOILS
 LINEAR LOADING RATE 6 GAL/FT.

750 LIN.FT. AT-GRADE REQUIRED

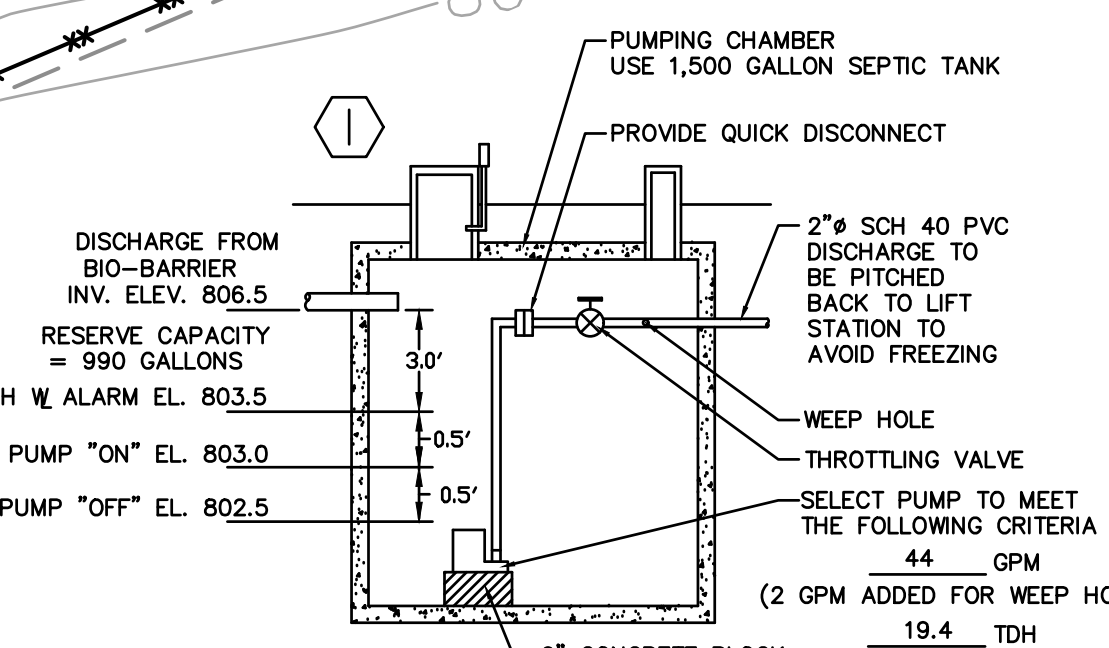
SYSTEM DIVIDED INTO THREE(3) 250 LINEAR FT. ZONES. THESE ZONES ARE INTENDED TO BE DOSED ALTERNATELY TWO(2) AT A TIME WHILE THE THIRD ZONE RESTS.

SITE DATA
 TOTAL SITE AREA = 1.05 ACRES
 TOTAL DISTURBED AREA = 0.80 ACRES



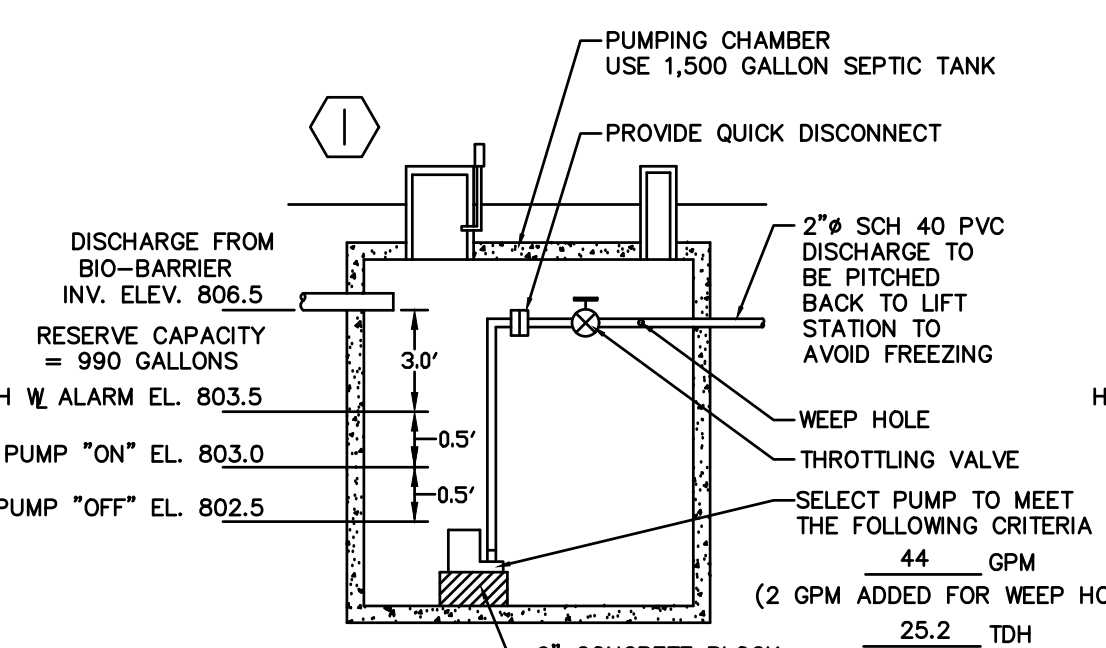
LIFT PUMP TO HAVE A QUICK DISCONNECT IN THE FORM OF A THREADED UNION ON THE DISCHARGE PIPING, A CORROSION RESISTANT ROPE INSTALLED TO FACILITATE EASY REMOVAL OF THE PUMP, AN ACCESS RISER EXTENDING 6" ABOVE FINAL GRADE AND AN AUDIBLE/VISUAL ALARM.

LIFT STATION TO TRASH TANK DETAIL



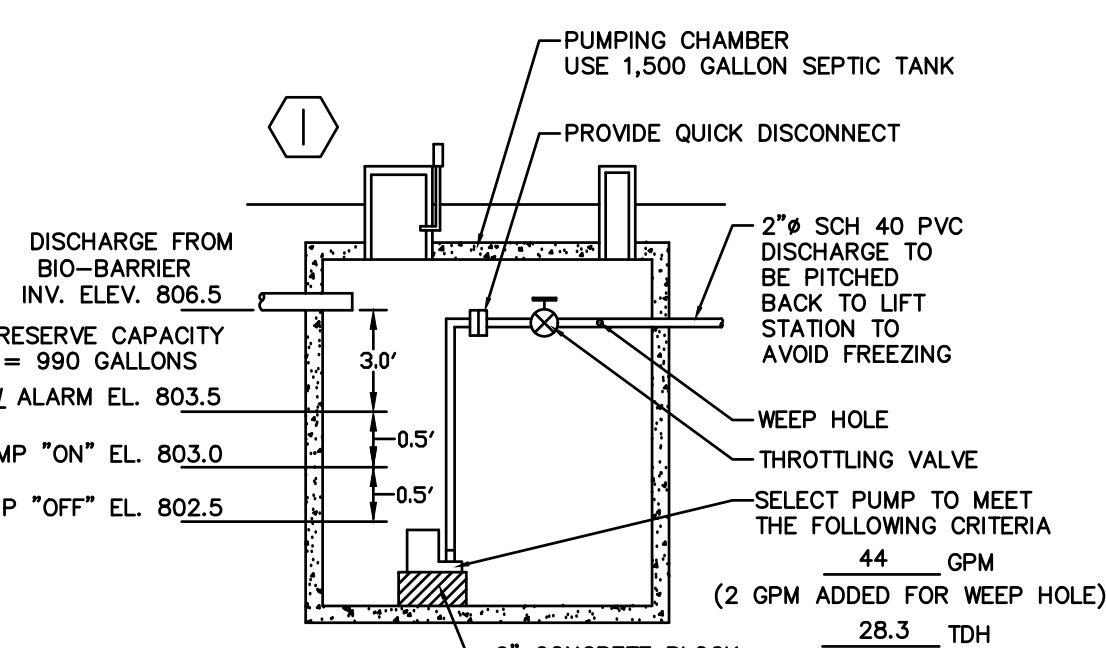
LIFT PUMP TO HAVE A QUICK DISCONNECT IN THE FORM OF A THREADED UNION ON THE DISCHARGE PIPING, A CORROSION RESISTANT ROPE INSTALLED TO FACILITATE EASY REMOVAL OF THE PUMP, AN ACCESS RISER EXTENDING 6" ABOVE FINAL GRADE AND AN AUDIBLE/VISUAL ALARM.

LIFT STATION TO AT-GRADE ZONE K DETAIL



LIFT PUMP TO HAVE A QUICK DISCONNECT IN THE FORM OF A THREADED UNION ON THE DISCHARGE PIPING, A CORROSION RESISTANT ROPE INSTALLED TO FACILITATE EASY REMOVAL OF THE PUMP, AN ACCESS RISER EXTENDING 6" ABOVE FINAL GRADE AND AN AUDIBLE/VISUAL ALARM.

LIFT STATION TO AT-GRADE ZONE M DETAIL

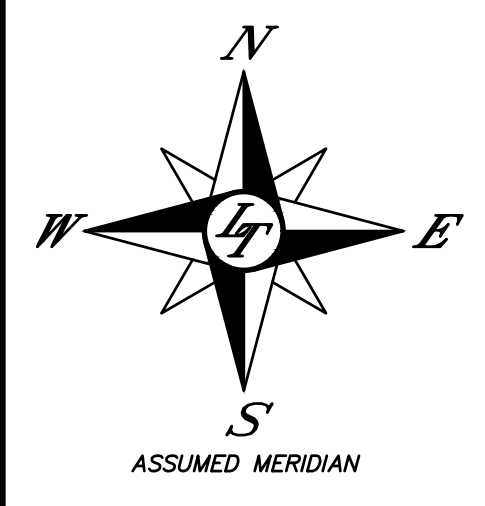


LIFT PUMP TO HAVE A QUICK DISCONNECT IN THE FORM OF A THREADED UNION ON THE DISCHARGE PIPING, A CORROSION RESISTANT ROPE INSTALLED TO FACILITATE EASY REMOVAL OF THE PUMP, AN ACCESS RISER EXTENDING 6" ABOVE FINAL GRADE AND AN AUDIBLE/VISUAL ALARM.

LIFT STATION TO AT-GRADE ZONE O DETAIL

SAME LIFT STATION - THREE(3) DIFFERENT PUMPS

NO KNOWN EXISTING WELLS WITHIN 200' OF PROPOSED SEPTIC SYSTEM



SCALE:
 1" = 10'

JULIE
 1-800-892-0123
 Call 48 hours before you dig (Excluding Sat., Sun./Holidays)

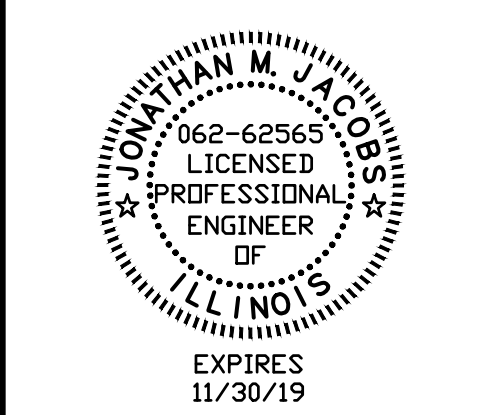
LAMBERT & ASSOCIATES
 955 W. LIBERTY DR
 WHEATON, IL 60187
 P: (630)653-6331
 F: (630)653-6396
 E: INFO@LAMBERTSURVEY.COM

CIVIL ENGINEERING AND LAND SURVEYING SERVICES

LAND TECHNOLOGY
 3922 W. MAIN STREET
 McHENRY, IL. 60050
 P: (815)363-9200
 F: (815)363-9223
 E: LANDTECH@LT-PE.COM

ILLINOIS PROFESSIONAL DESIGN FIRM
 No. 184-007260

SUBDIVISION SEPTIC SYSTEM PLAN:



DRAWN BY: DRD
 CHECKED BY: SSP/AMJ
 C:\Users\apoleno\appdata\local\temp\AcPubl

DATE: 10/27/17
PAGE 2 OF 3
 DRAWING NUMBER:
 16-281